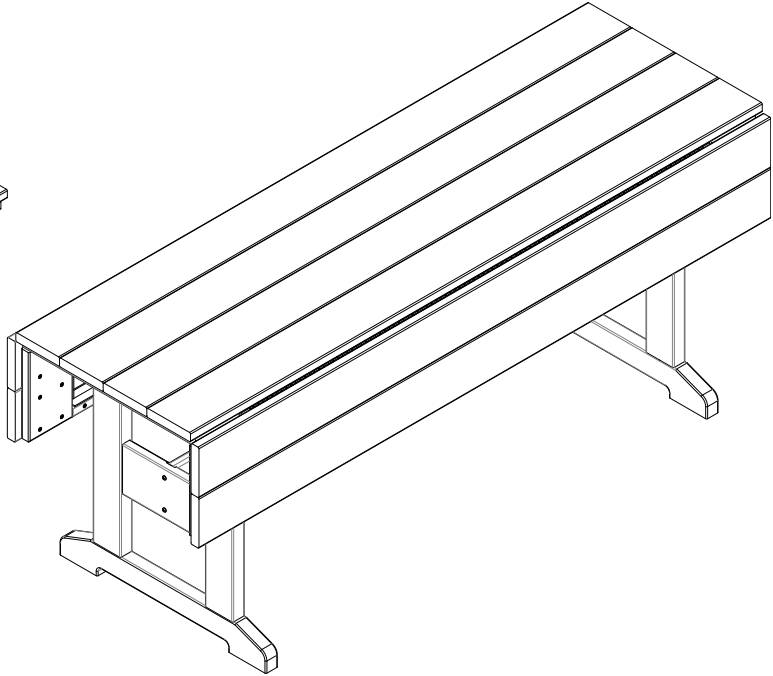
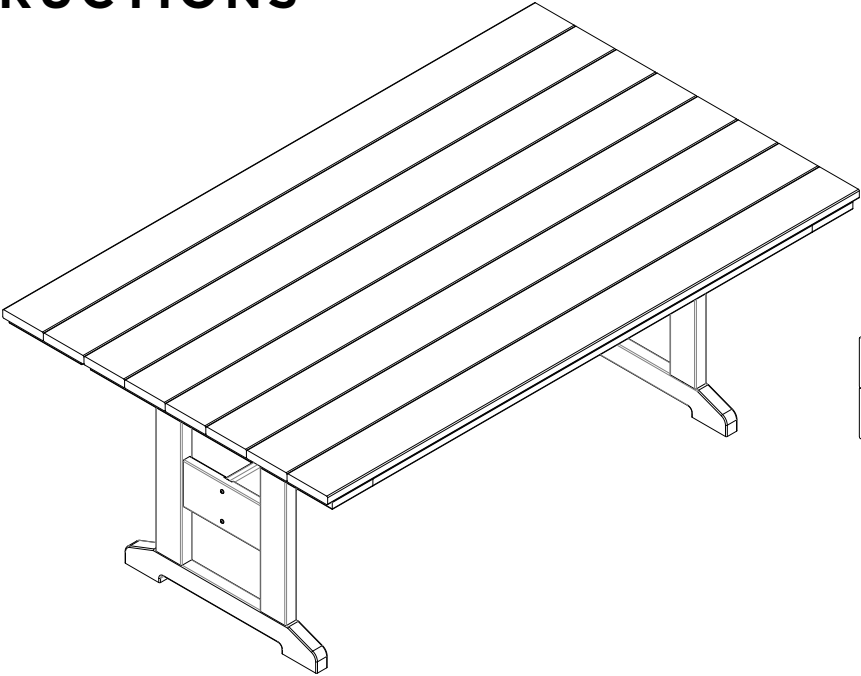


HARVEST DINING TABLE

INSTRUCTIONS



HARDWARE PACK

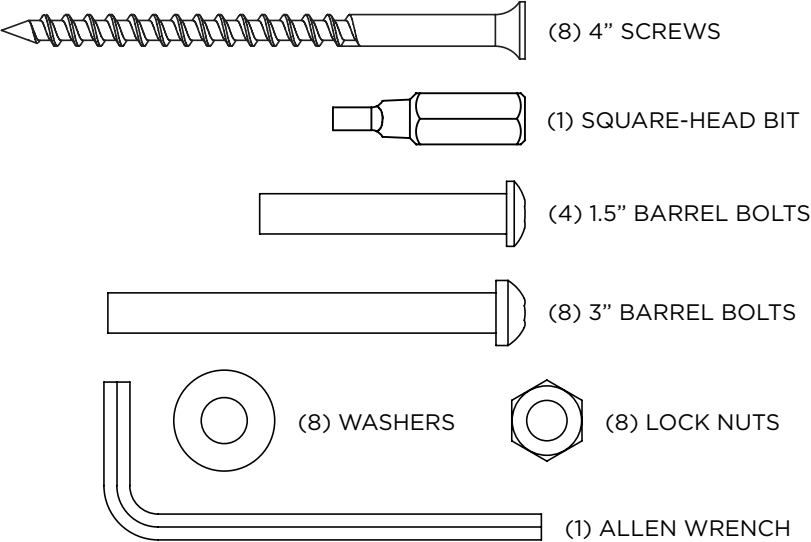


TABLE PARTS

- (1) TABLE TOP ASSEMBLY
- (2) LEG ASSEMBLIES
- (2) FEET
- (1) SPREADER BAR

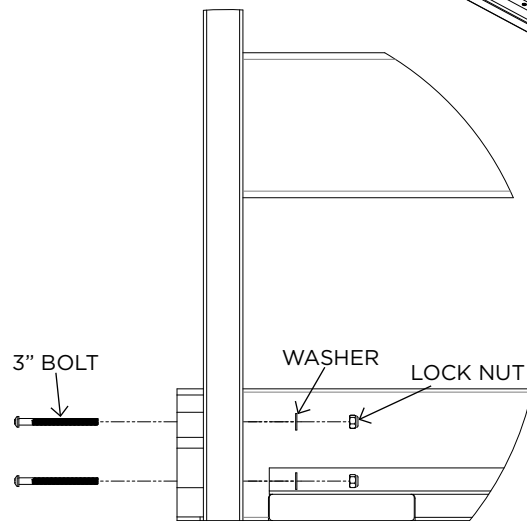
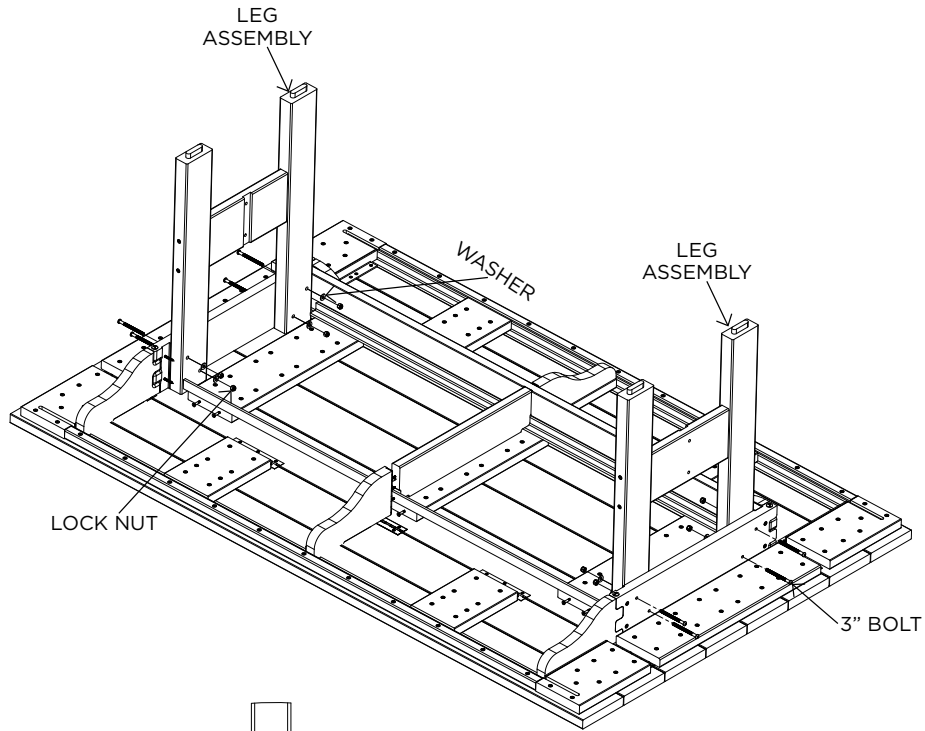
SUGGESTED TOOLS

- ADJUSTABLE WRENCH OR 7/16" WRENCH
- DRILL

ASSEMBLY

STEP 1. Leave table upside down as shown during assembly. Use (8) 3" bolts, (8) washers, and (8) lock nuts to attach the leg assemblies to the table top assembly as shown. Refer to detail view below for hardware order.

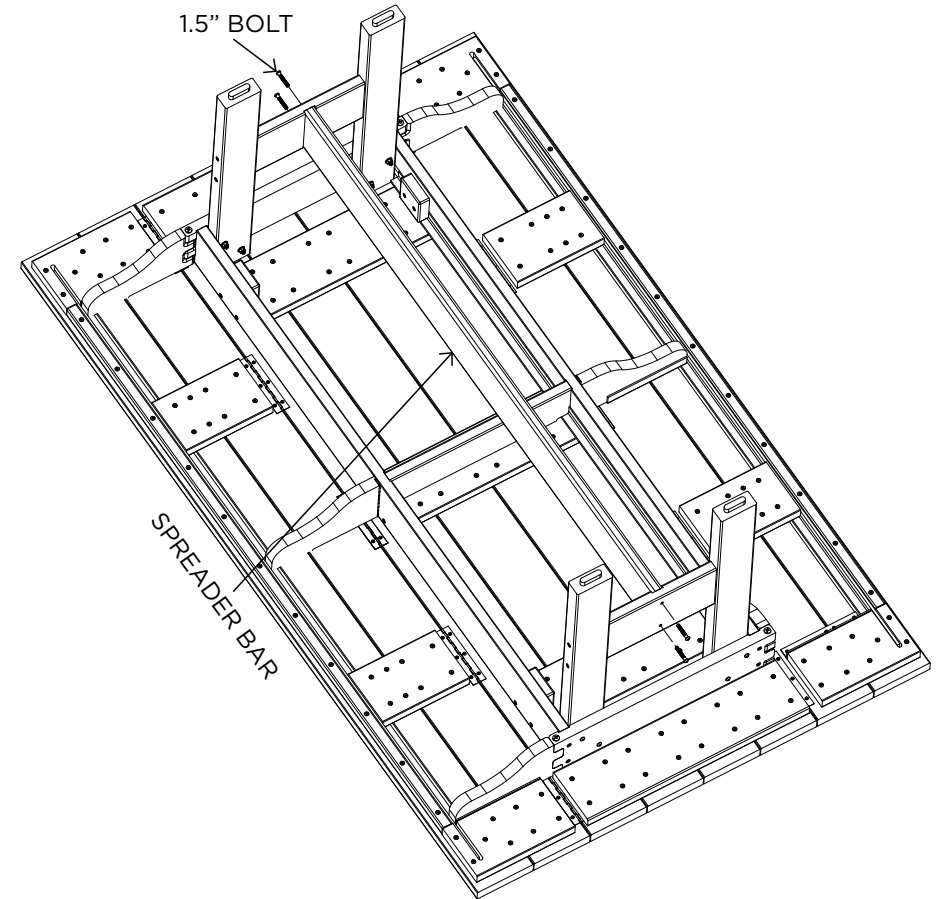
Note: Parts hidden on image to show hardware.



DETAIL VIEW

ASSEMBLY

STEP 2. Position the spreader bar in the slot on the leg assemblies and use (4) 1.5" bolts to secure the spreader bar to leg assemblies.

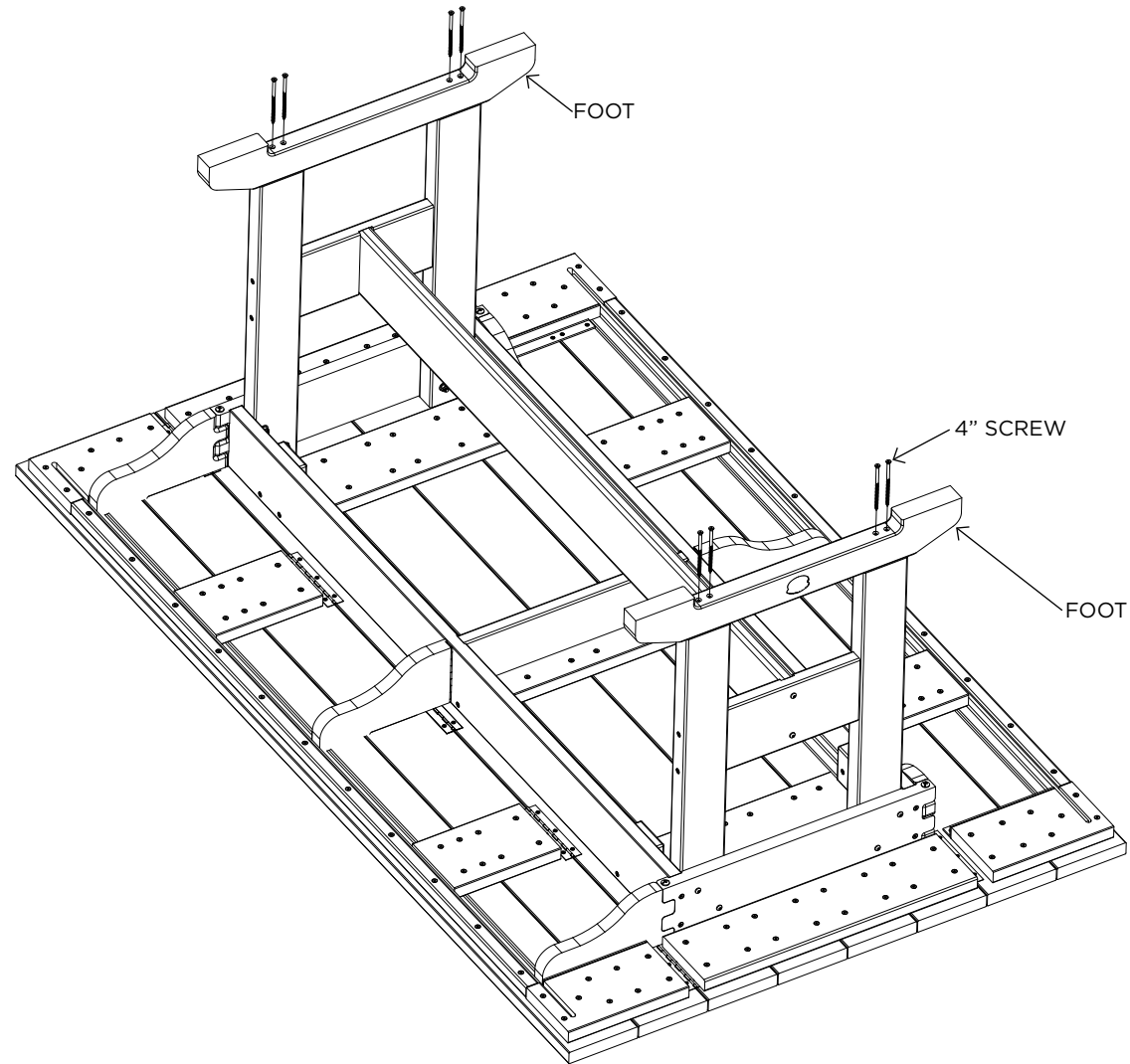


ASSEMBLY

STEP 2. Fit the (2) Feet onto the leg assemblies as shown. Use (8) 4" screws to secure the feet to the leg assemblies.

Tighten all bolts.

After all bolts are tightened flip the table upright, it is recommended you have 2-3 people for this.



Congratulations on purchasing this Durawood Harvest Dining Table. QUESTIONS REGARDING THIS PRODUCT? Call our customer service team, 252-758-0641.

RESIDENTIAL WARRANTY - This quality product includes a FULL LIFETIME WARRANTY for RESIDENTIAL CUSTOMERS. In the unlikely event any splintering, rotting, cracking, peeling, chipping, insect infestation or other damage should ever occur, The Hammock Source will replace this furniture, at no charge to you. Note that an original sales receipt must accompany any returned product, along with a Return Authorization Number from Hammock Source customer service; call toll-free at 252-758-0641.

CONTRACTOR WARRANTY - CONTRACTORS receive a FULL 7-YEAR WARRANTY. Follow the same steps outlined above.

MAINTENANCE - Thoroughly inspect product before each use. Periodically check bolts after assembly and re-tighten when necessary.

