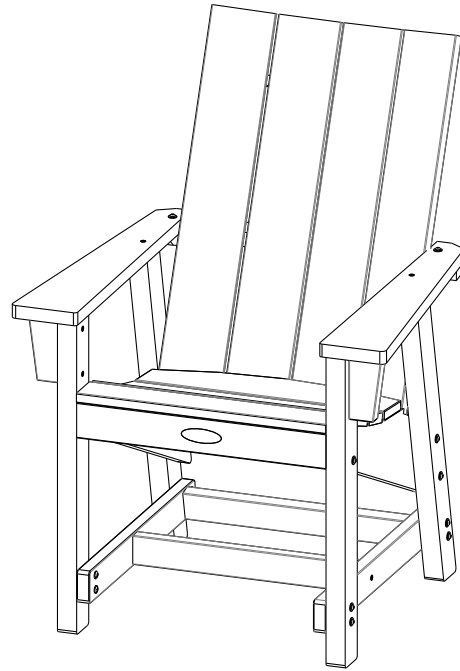


CONVERSATION CHAIR INSTRUCTIONS

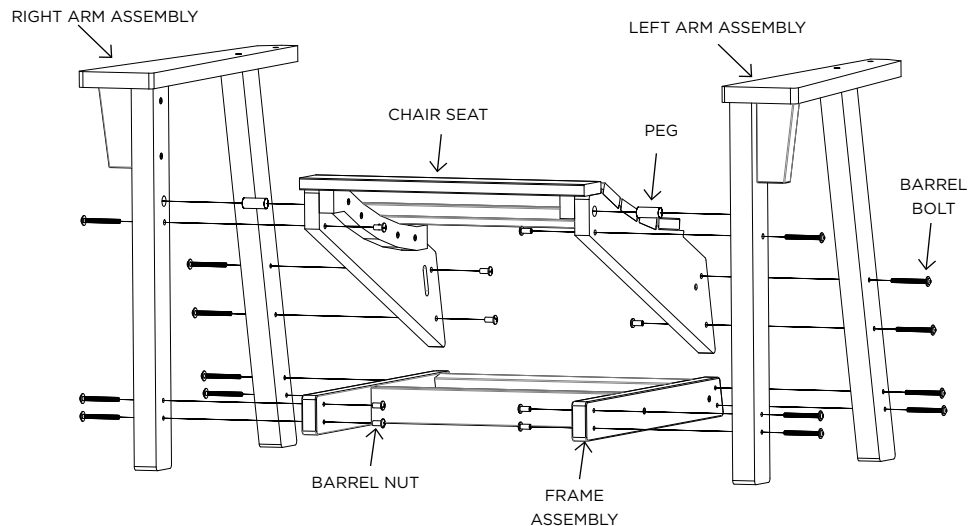


ASSEMBLY

STEP 1. Use (14) 2" barrel bolts, (14) barrel nuts and (2) pegs to attach right and left arm assemblies to chair seat and frame assembly.

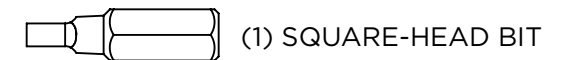
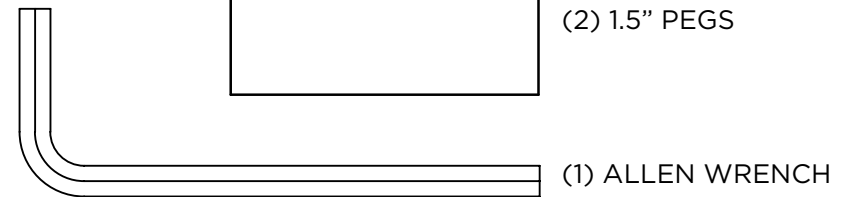
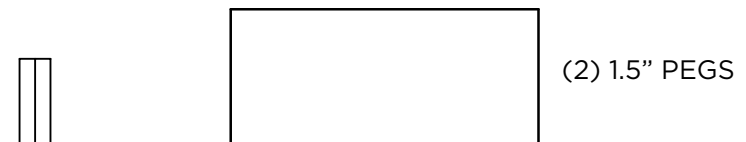
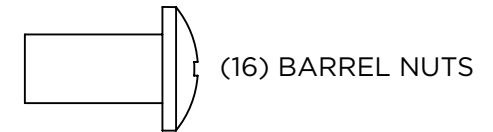
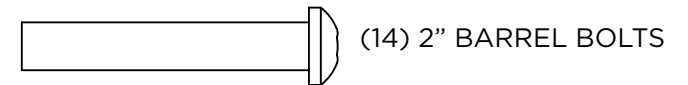
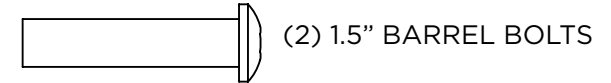
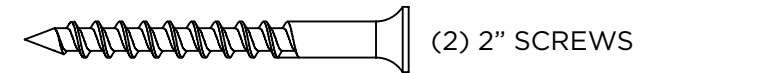
Keep all barrel bolts loose until Step 3.

(Name plate and spreader hidden for view)



HARDWARE PACK

Hardware Pack Weight: 11.8 oz.



CHAIR PARTS

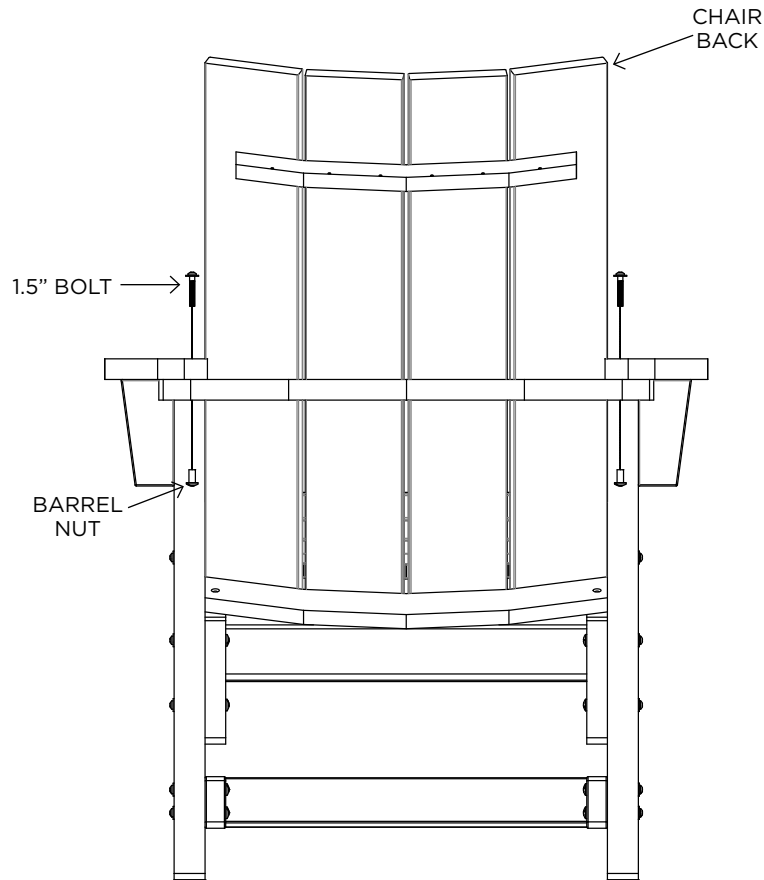
- CHAIR BACK
- CHAIR SEAT
- RIGHT ARM ASSEMBLY
- LEFT ARM ASSEMBLY
- FRAME ASSEMBLY

SUGGESTED TOOLS

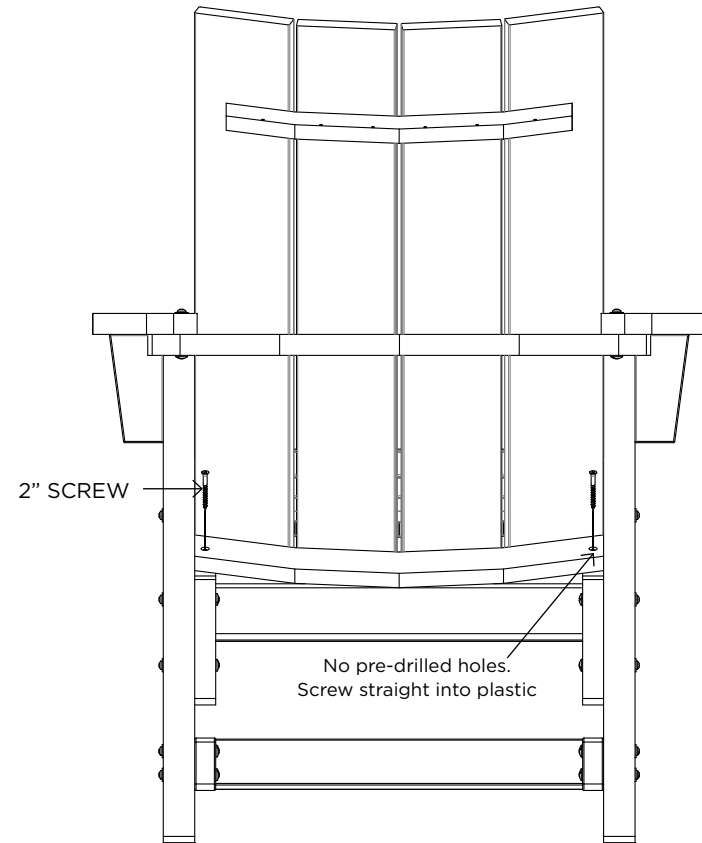
- RUBBER MALLET
- KNIFE OR SCISSORS
- PHILLIPS HEAD SCREWDRIVER
- DRILL

ASSEMBLY

STEP 2. Use (2) 1.5" barrel bolts and barrel nuts to attach chair back to right and left arm assemblies.



STEP 3. PUSH FORWARD TO NOTCH IN FRAME.
Use (2) 2" screws to attach chair back to chair seat.
Tighten all bolts once screws are in.



Congratulations on purchasing this Conversation Chair. QUESTIONS REGARDING THIS PRODUCT? Call our customer service team, 252-758-0641.

RESIDENTIAL WARRANTY - This quality product includes a LIMITED LIFETIME WARRANTY for RESIDENTIAL CUSTOMERS. In the unlikely event any splintering, rotting, cracking, peeling, or chipping should ever occur, The Hammock Source will supply replacement parts or replace the furniture, at no charge to you. This does not include negligence, improper use, animal damage or damage caused by natural disasters. When using around fire, keep furniture at a minimum distance of 30 inches from the heat source. Prevent prolonged exposure to chlorinated water. Note that an original sales receipt must accompany any returned product, along with a Return Authorization Number from Hammock Source customer service; call toll-free at 252-758-0641.

CONTRACTOR WARRANTY - CONTRACTORS receive a LIMITED 7-YEAR WARRANTY. Follow the same steps outlined above.

MAINTENANCE - Thoroughly inspect product before each use. Periodically check bolts after assembly and re-tighten when necessary.

