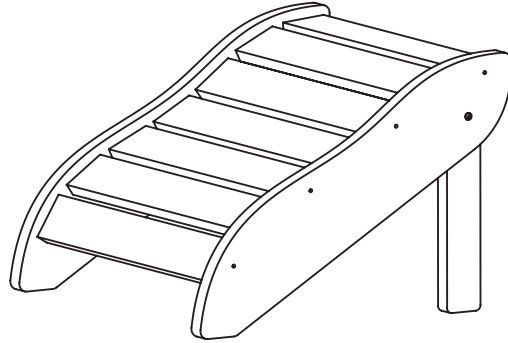
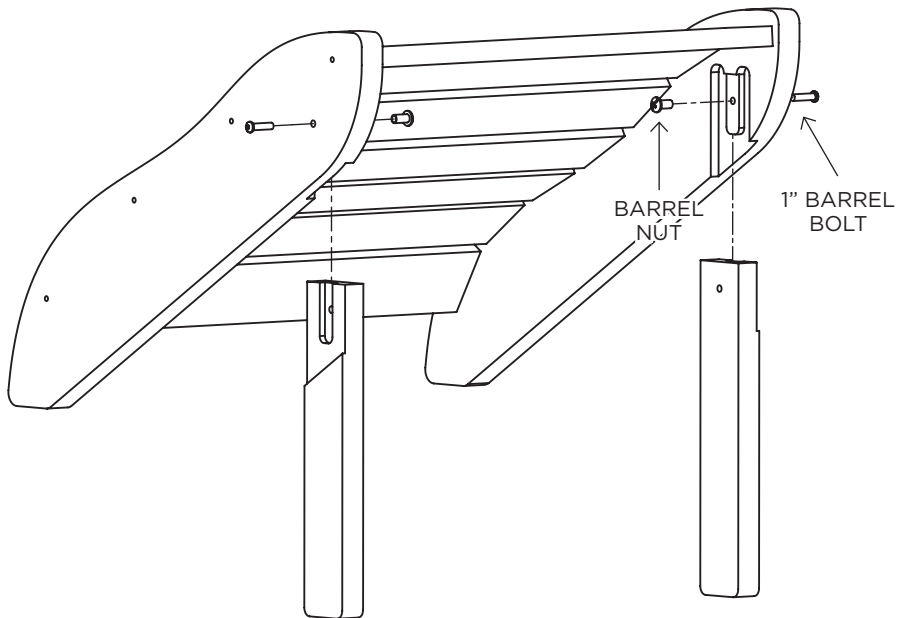


FOOT REST INSTRUCTIONS



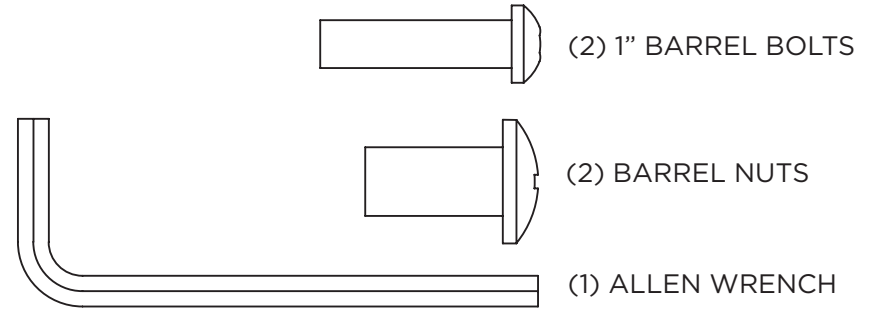
ASSEMBLY

STEP 1. Use (2) 1" barrel bolts and (2) barrel nuts to attach foot rest body to left leg and right leg. Tighten all bolts.



HARDWARE PACK

Hardware Pack Weight: 1.5 oz.



PARTS

- FOOT REST BODY
- LEFT LEG
- RIGHT LEG

SUGGESTED TOOLS

- RUBBER MALLET
- PHILLIPS HEAD SCREWDRIVER

Congratulations on purchasing this Durawood Foot Rest. QUESTIONS REGARDING THIS PRODUCT? Call our customer service team, 252-758-0641.

RESIDENTIAL WARRANTY - This quality product includes a FULL LIFETIME WARRANTY for RESIDENTIAL CUSTOMERS. In the unlikely event any splintering, rotting, cracking, peeling, chipping, insect infestation or other damage should ever occur, The Hammock Source will replace this furniture, at no charge to you. Note that an original sales receipt must accompany any returned product, along with a Return Authorization Number from Hammock Source customer service; call toll-free at 252-758-0641.

CONTRACTOR WARRANTY - CONTRACTORS receive a FULL 7-YEAR WARRANTY. Follow the same steps outlined above.